



Trelleborg Industrial Antivibration Systems



A safe choice all over the World



TRELLEXTREME[®]



NOVIBRA[®]



METALASTIK[®]



Trelleborg Industrial AVS

global supply and manufacturing of Novibra® and Metalastik® antivibration solutions.



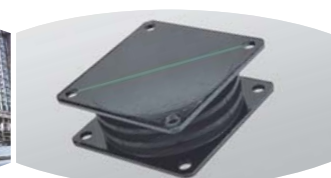
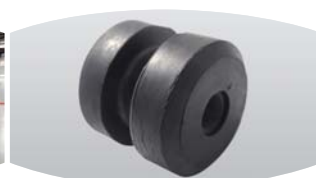
Trelleborg Industrial Antivibration Systems is a global specialist for the supply of rubber to metal bonded antivibration mounts and systems.

Our worldwide network of distributors is ideally placed to meet your global requirements for high quality, cost efficient solutions. With a strong reputation for engineering Trelleborg prides itself on its ability to work very closely with you, the customer, to provide optimal designs and ideal products to solve your specific problem.

Our head office is located in a modern, £10 million plant in

Leicester, UK, while production is divided between Europe, North America and Asia, using both our own facilities and those of our sister company Trelleborg Automotive. All plants are approved to ISO:9001:2000 and ISO 14001.

Leicester also houses the main technical center and extensive research and development facilities.



Guide when choosing AV mounts

Type of Machine	Type of Mount							
Rotating Equipment								
Stationary Installations Combustion Engines Compressors, Generators	RA/RAEM 	M 	RA/RAB 	Fail-Safe 	Vee Mounting 	Cushyfoot 		
Mobile Installations Vehicle Engines, Compressors, Generators, Marine Engines	HK 	SIM 	Cushyfloat 	Metacone 	Vee Mounting 			
Sensitive Equipment Electronics, Cameras, Fans, Small Pumps	M 	SE 	MC 	Fanflex 	Equi-Frequency 	2 Bolt Instrumounts 	Flanged Instrumounts 	Low Frequency 
Transit Protection Computers, Test Equipment	VT 	M 	BA 	Double U-Shear 				
Vehicles Engines, Cabs, ROPS Cage	HK 	Metacone 	Cab Mounts 	EH 	UH 			
Instrument Mounts Electronic Racks, Radio TX/RX, Mobile Computer Systems	M 	2 Bolt Instrumounts 	Flanged Instrumounts 	Low Frequency 				
Heavy Duty Isolators Off Highway Vehicles, Vibratory Screens, Large Engines, Public Service Vehicles	SAW 	Rectangular SAW 	Circular SAW 	3" Comp 				
Building & Construction Inertia Blocks, Heavy Plant, Ductwork, Suspended Ceilings	GK 	VT 	AV-Plate 					
Machine Tools Lathes, Punch Presses, Grinders, Woodworking Equipment	TF 	AV-Plate 						
Motion Control Re-Bound, Motion Limitation	SE 	Buffers 	ANB 					
Vehicle Suspension Pivot Arms, Trunnion Mounts, Gearbox Mountings	VP/UD 	SP Bearings 	Metaxentric bushes 					
General Purpose Mounts Exhaust Systems, Small Fans, Instrument Panels	Type A 	Type B 	Type C 	Type D 	Type KD 	Type E 		

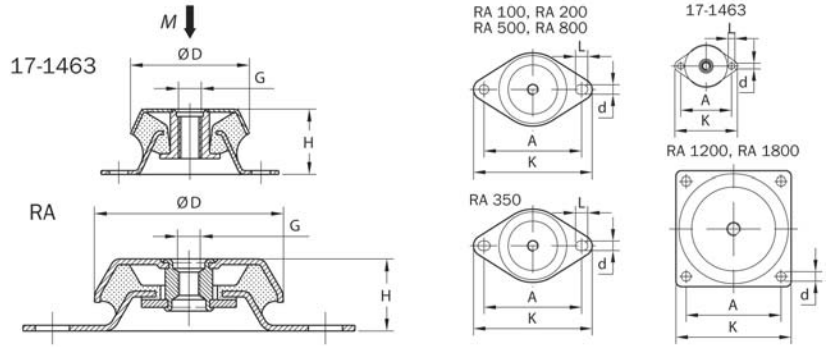
Model: Application - Features

Design

RA and Fail Safe EF

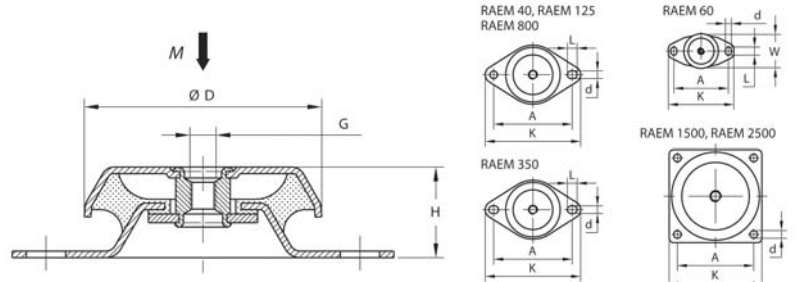
RA and EF uses the rubber profile in shear and compression, obtaining good vertical flexibility with the advantage of horizontal stability. For normal speeds of approx. 1500 rpm, the RA and EF type provides a degree of isolation of 75- 85%. Fitted as standard with an integral fail- safe design device with resilient stop, making RA and EF ideal for use in mobile applications. The RA / EF- mounts can accommodate occasional shock loads to 2 g reference to the weight in hardness 60 IRH. The mount will withstand shock loads up to 2 g without plastic deformation.

For effective isolation of vibration and noise on machines with rotating movements, e.g. compressors, pumps, combustion engines, industrial and marine gen- sets, generators, converters and fans.



RAEM

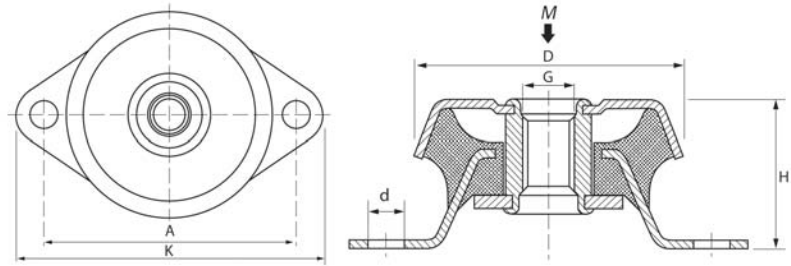
RAEM is a universal mounting for applications demanding maximum isolation. It is a further development of RA, where EM stands for "extra soft". Suitable for both light and heavy machines. For normal speeds of approx. 1500 rpm the RAEM type provides a degree of isolation of 85- 95%, and gives good isolation with low frequency machines. Fitted as standard with an integral fail-safe design with resilient stop, making RAEM ideal for use on mobile applications. The RAEM mounts can accommodate occasional shock loads to 5g reference to the weight in hardness 60° IRH. The mount will withstand shock loads up to 2g without plastic deformation. For effective isolation of vibration and noise on machines with rotating movements, e.g. compressors, industrial fans, generators, combustion engines and emergency power sets.



RAB

Similar in design to the RA / RAEM.

Especially effective on small 1, 2 and 3 cylinder diesel engines where the special compound employed provides effective isolation of vibration while eliminating much of the excessive movement normally associated with 1 - 3 cylinder engines.

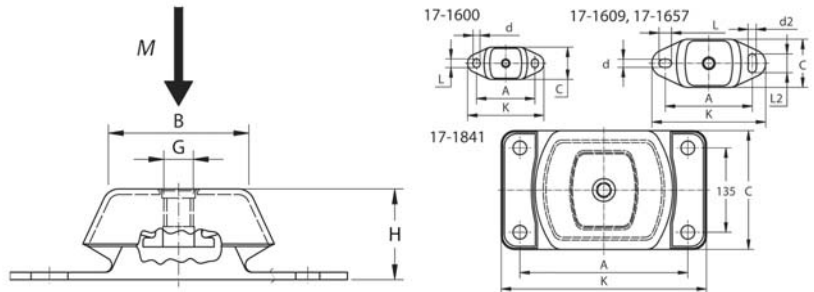


Cushyfloat™

Originally designed for use with marine engines, this compact low profile mounting is easy to install.

The design incorporates bump and rebound control features which limit excessive movements under shock loading. The top metal cover gives protection against oil contamination.

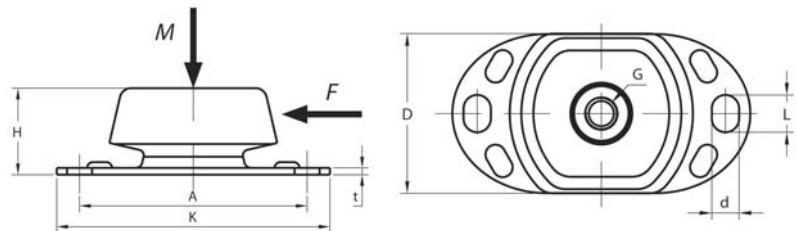
The Cushyfloat™ mounting is an ideal general purpose unit designed to provide effective isolation of vibration and noise arising from many types of static and mobile equipment including marine, industrial and vehicle engines, generator sets, pumps and compressors.



SIM™

SIM™ is a mounting for mobile applications. The strong metal parts and the soft vertical stiffness combined with high stiffness in the longitudinal direction makes it suitable for suspension of marine engines both with and without thrust bearing.

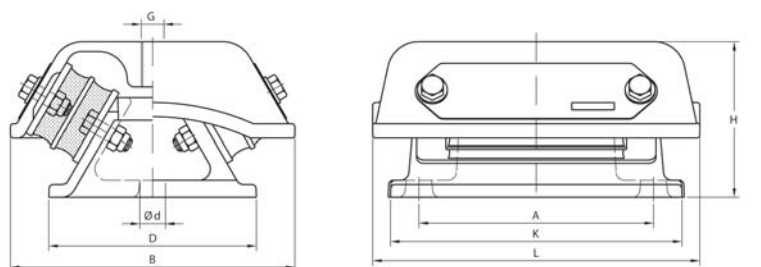
Type SIM™ is used for vibration isolation of small to medium sized machines such as fans, pumps, compressors, refrigeration and air- conditioning, engines and measurement equipment.



Cushyfoot™

Cushyfoot™ mountings have two rubber elements, used in shear and compression.

Cushyfoot™ mountings are suitable for many different types of machinery, e.g. diesel engines, generator sets, compressors, fans, hydraulic units and lift machinery.



Standard Range

Type	Art No.		Dimensions in mm								Weight (kg)	M-Max (kg)	
	40° IRH	60° IRH	D	A	H	K	d	L	G	40° IRH		60° IRH	
RA 100/M10	10-00106-01	10-00107-01	79	110	30	130	9	12	M10	0.33	105	240	
RA 100/M12	10-00166-01	10-00167-01	79	110	30	130	9	12	M12	0.33	105	240	
RA 200/M10	10-00110-01	10-00111-01	94	124	35	150	10	15	M10	0.47	180	280	
RA 200/M12	10-00165-01	10-00091-01	94	124	35	150	10	15	M12	0.47	180	280	
RA 350/M12	10-00172-01	10-00173-01	101	140-148	38	175	14	18	M12	0.74	250	450	
RA 350/M16	10-00112-01	10-00113-01	101	140-148	38	175	14	18	M16	0.74	250	450	
RA 500	10-00116-01	10-00117-01	123	158	42	192	14	18	M16	1.02	450	700	
RA 800	10-00118-01	10-00119-01	144	182	46	216	14	18	M16	1.59	750	1300	
RA 1200	10-00154-01	10-00155-01	161	140	58	170	14	-	M20	2.19	900	1600	
RA 1800	10-00156-01	10-00157-01	181	160	66.5	190	14	-	M20	2.33	1300	2100	



Type	Art No.				Dimensions in mm								Weight (kg)	M-max (kg)			
	35° IRH	45° IRH	60° IRH	70° IRH	D	A	H	K	d	L	G	35° IRH		45° IRH	60° IRH	70° IRH	
17-1463	10-00503-01	10-00504-01	10-00505-01	10-00506-01	65	76.2	35	94	8.5	10	M12	0.22	55	80	170	240	

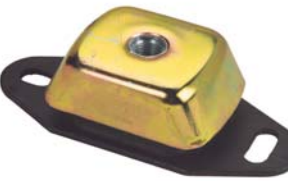
Type	Art No.		Dimensions in mm								Weight (kg)	M-Max (kg)	
	40° IRH	60° IRH	D	A	W	H	K	d	L	G		40° IRH	60° IRH
RAEM 40	10-00122-01	10-00123-01	64	88	-	35.5	110	9	12	M10	0.26	30	60
RAEM 60	10-00183-01	10-00184-01	63	100	61	35.5	120	11	15	M12	0.3	60	120
RAEM 125 M10	10-00108-01	10-00109-01	84	110	-	35.5	135	11	15	M10	0.37	80	180
RAEM 125 M12	10-00168-01	10-00169-01	84	110	-	35.5	135	11	15	M12	0.37	80	180
RAEM 350 M12	10-00174-01	10-00175-01	110	140-148	-	42	175	14	18	M12	0.8	200	400
RAEM 350 M16	10-00114-01	10-00115-01	110	140-148	-	42	175	14	18	M16	0.8	200	400
RAEM 800	10-00120-01	10-00121-01	155	182	-	54	216	14	18	M16	1.8	450	800
RAEM 1500	10-00158-01	10-00159-01	182	146	-	85	180	14	-	M20	3	900	1700
RAEM 2500	10-00160-01	10-00161-01	224	180	-	105.5	220	17.5	-	M24	4.6	1700	3400



Type	Art No.	Dimensions in mm						Weight (kg)	M-Max (kg)
		D	A	H	K	d	G		
RAB-0	10-00178-01	63	76	35	93.5	8.5	M12	0.22	130
RAB-2	10-00179-01	63	76	35	93.5	8.5	M12	0.22	105
RAB-3	10-00180-01	63	76	35	93.5	8.5	M12	0.22	70



Type	Art No.				Dimensions in mm										Weight (kg)	M-Max (kg)			
	45° IRH	55° IRH	65° IRH	75° IRH	B	C	A	K	H	d1	L1	d2	L2	G		45° IRH	55° IRH	65° IRH	75° IRH
17-1600	10-00535-01	10-00536-01	10-00537-01	-	60	60	100	120	38	11	14	-	-	M12	0.3	50	65	100	-
					Marine Applications, involving thrust forces											35	55	80	-
17-1609	10-00545-01	10-00546-01	10-00547-01	10-00548-01	75	75	140	183	50	13	20	13	30	M16	0.9	150	210	300	450
					Marine Applications, involving thrust forces											95	140	210	315
17-1657	10-00557-01	10-00558-01	10-00559-01	10-00560-01	80	112	182	230	70	18	26	18	34	M20	2.4	350	520	800	1000
					Marine Applications, involving thrust forces											250	370	560	700



Type	Art No.				Dimensions in mm										Weight (kg)	M-Max (kg)				F-Max (N)			
	40° IRH	50° IRH	60° IRH	70° IRH	D	A	K	H	d	L	t	G	40° IRH	50° IRH		60° IRH	70° IRH	40° IRH	50° IRH	60° IRH	70° IRH		
SIM 100	10-00043-02	10-00046-02	10-00044-02	10-00045-02	64	100	120	38	11	15	3	M12	0.35	50	60	100	130	750	1000	1400	2000		
SIM 200	10-00047-02	10-00050-02	10-00048-02	10-00049-02	75	140	175	50	13	20	4	M16	0.75	100	150	230	310	2000	3000	4500	6000		
SIM 300	10-00051-02	10-00054-02	10-00052-02	10-00053-02	112	182	216	70	18	26	5	M20	2.03	220	300	460	580	5000	6500	9000	12000		



Type	Art No.		Dimensions in mm								Weight (kg)	Max Vertical Load (kg)	
	45° IRH	60° IRH	L	B	A	K	H	D	d	G		45° IRH	60° IRH
17-0290	20-00689-01	10-04251-01	122	132	90	114	72	82	13	M16	2.3	120	230
17-0213	10-04106-01	10-04104-01	230	204	165	205	110	148	18	M16	10	590	1250
17-0346	10-04121-01	10-04120-01	230	204	165	205	123	148	18	M16	9.5	630	1280



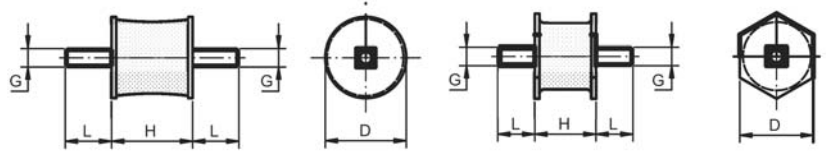
Two Bolt Instrumounts

17-1061, 17-1379, 17-1380

17-1382, 17-1383, 17-1384, 17-1385

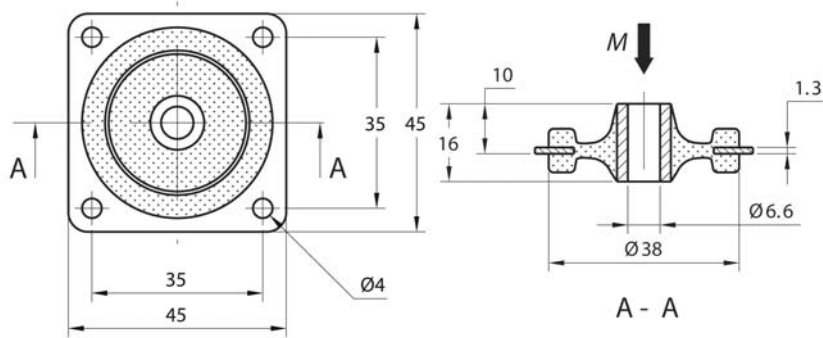
These mountings are high quality products capable of protecting light equipment from vibration and shock. They may be loaded in compression or shear depending on application requirements.

Typical applications are instrument panels, lightweight laboratory machines and electronic equipment.



Flanged Instrumounts

These mountings are suitable for both mobile and static applications, for the protection of sensitive equipment from external vibration or for vibration isolation of small fan sets, transformers and similar equipment. Flanged Instrumountings can be fail-safe if fitted with a washer to the top and bottom of the rubber section.



VT

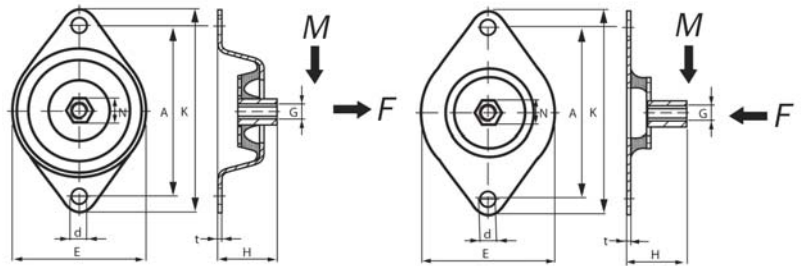
Two different parts are available. The VT-upper provides for protection against tension preventing the isolated unit from "falling" if overloading occurs.

VT - lower is designed to accept horizontal compression loads and allow shear deflection vertically.

Novibra® type VT protects wall-mounted instrument cabinets from vibrations and shocks generated by nearby engines, workshop machinery, etc.

Mounting type VT - upper could be used for ceiling suspension

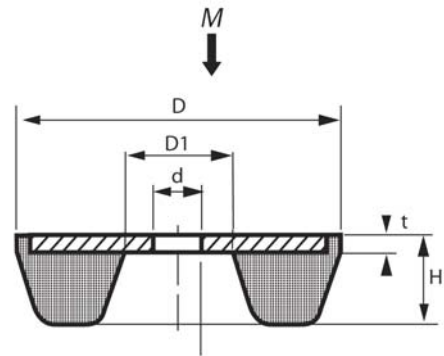
e.g. fittings, fans, music speakers, etc.



SE

The SE - mounting consists of an annular rubber section, securely bonded to a single steel support plate.

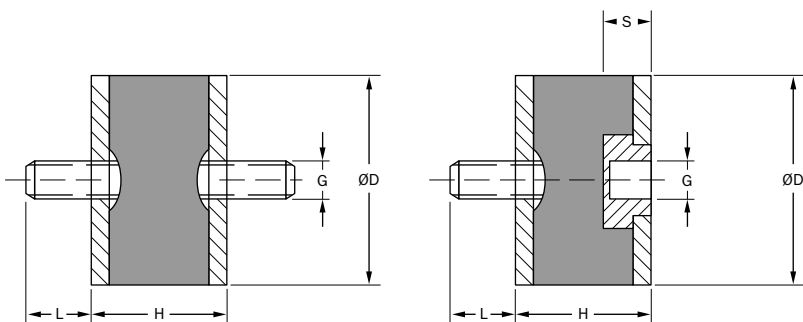
Type SE is suitable for the isolation of high frequency disturbances for office equipment, electric motors and weighing equipment.



Bobbins

A supplementary range of cylindrical mountings for a wide range of applications.

They can be loaded either in compression or shear taking into consideration individual demands for actual applications.



Standard Range



Type	Art No.		Dimensions in mm				Max Load in Compression (kg)		Max Load in Shear (kg)		Weight (kg)
	45° IRH	60° IRH	D	H	G	L	45° IRH	60° IRH	45° IRH	60° IRH	
17-1061	10-00443-01	10-00444-01	11	11	M4	10	2.4	4.8	2.3	2.5	0.005
17-1379	10-00470-01	10-00471-01	21	22	M6	15	7	14	5	5	0.02
17-1380	10-00472-01	10-00473-01	35	34	M8	20	16	32	15	15	0.07
17-1382	10-00476-01	10-00477-01	15	16	M6	15	3.8	7.6	3	3	0.013
17-1383	10-00478-01	10-00479-01	21	19	M8	20	8	16	6	6	0.03
17-1384	10-00480-01	10-00481-01	32	26	M8	16	15	30	10	10	0.06
17-1385	10-00482-01	10-00483-01	33	22	M10	25	30	60	14	14	0.11



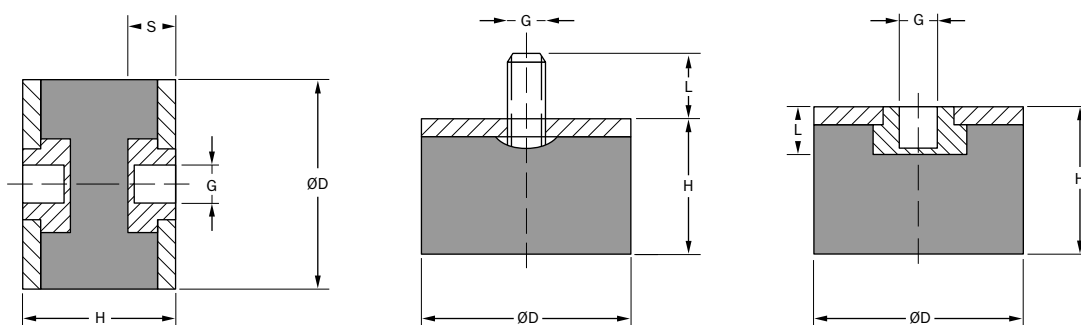
Type	Art No.		M-Max (kg)		Weight (kg)
	45° IRH	60° IRH	45° IRH	60° IRH	
17-1801	10-00583-01	10-00584-01	2.7	5.4	0.03



Type	Art No.		Dimensions in mm							M-Max (kg)		F-Max (kg)		Weight (kg)	
	40° IRH	60° IRH	E	K	A	H	d	N	t	G	40° IRH	60° IRH	40° IRH		60° IRH
VT-Upper	10-01369-01	10-01370-01	75	114	96	33	9	15	1.5	M8	14	25	30	70	0.15
VT-Lower	10-01373-01	10-00015-01	75	114	96	33	9	15	1.5	M8	14	25	30	70	0.11



Type	Art No.		Dimensions in mm					Weight (kg)	M-Max (kg)	
	50° IRH	D	D1	d	H	t	50° IRH			
SE 75	20-00612-01	55	18	8	15	3	0.07	150		
SE 250	20-00631-01	75	25	10	17	4	0.17	400		
SE 750	20-00632-01	115	40	14	24	8	0.46	1100		



Model: Application - Features

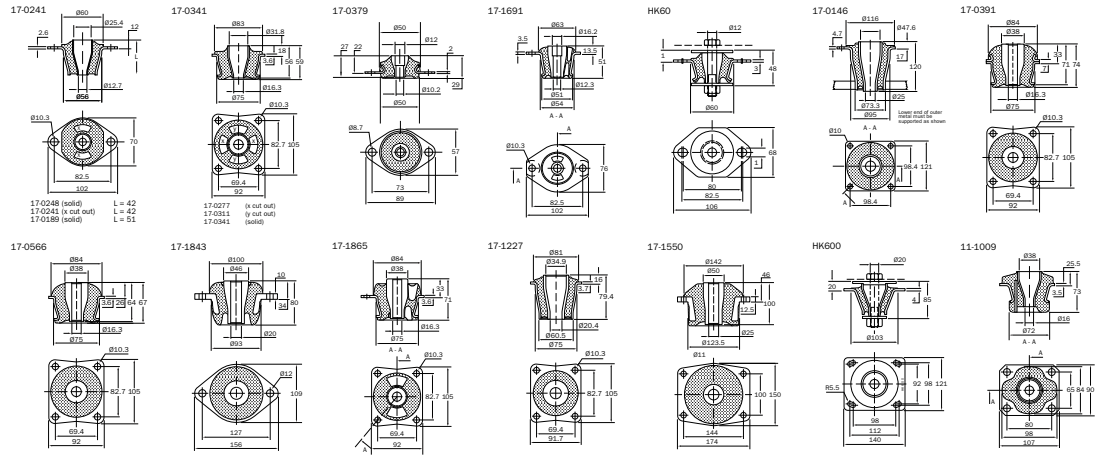
Design

Metacone™ and HK

Designed for high load capacity with relatively large static deflections.

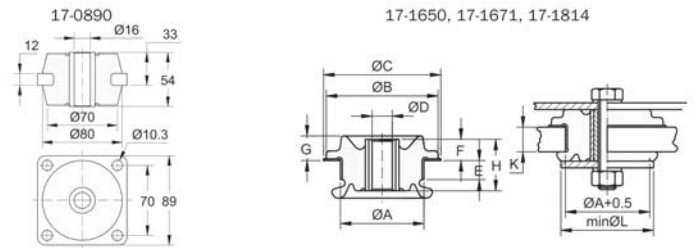
Normally, mountings are assembled with overload and rebound washers to control and limit movement of the suspended equipment under shock loads.

Used in off-road and road vehicle engines, vehicle cabs, oil tanks/ tankers and mobile applications.



Cab Mounting

Specially profiled rubber section together with bump and rebound washers provides optimum suspension characteristics for cabs on commercial vehicles, tractors and other off-road vehicles, earthmoving equipment and construction plant.

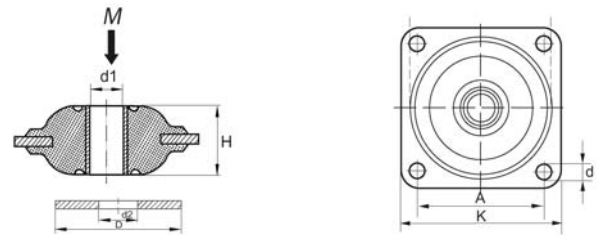


UH

UH is an antivibration mounting designed to accommodate axial static and shock loads in both directions. The dynamic natural frequency is constant irrespective of the static load.

When fitted with overload/ rebound washers, a high strength fail-safe installation is provided.

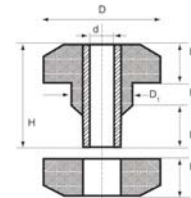
Mounting type UH is particularly suitable for the suspension of both mobile and static cabs as well as platforms on agricultural vehicles.



EH

Type EH mountings are designed to achieve effective vibration isolation on engines, operator cabins and other ancillary units.

Typical applications are off-road equipment, construction equipment, military vehicles, agricultural vehicles and industrial mobile machinery.

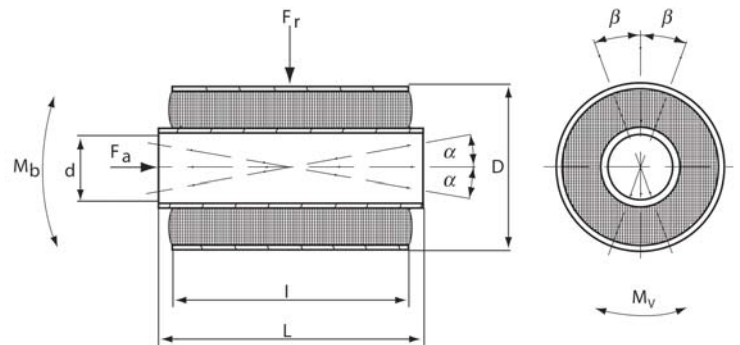


VP and UD Bushes

Novibra® type VP and Metalastik® type UD consist of two concentric sleeves with rubber securely bonded between them. The rubber is pre-stressed to give maximum dynamic strength and durability.

The bonded rubber takes up the full movement. Lubrication or other bearing maintenance is not required.

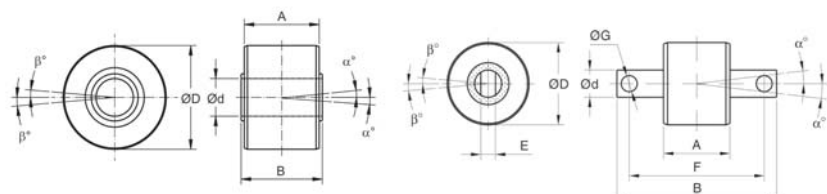
For vehicle suspension, pivot arms and all types of mechanical linkage, permits oscillating movement through the deflection of rubber in shear.



Spherilastik™ Bearings

A heavy duty flexible bearing combining high load capacity with the ability to accommodate torsional and angular movements in all planes without lubrication and metal to metal wear.

Typical uses include traction and braking reaction rods for rail, road and off-road vehicles, hydraulic damper fixings and other applications where a high duty bearing of compact size is required.



Standard Range



Type	Art No.	Art No.	Art No.	Art No.	Weight	M-Max (kg)			
	45° IRH	55° IRH	60° IRH	70° IRH	(kg)	45° IRH	55° IRH	60° IRH	70° IRH
17-0189	10-00365-01	-	-	10-00367-01	0.28	145	-	-	290
17-0241	10-00374-01	-	10-00375-01	-	0.18	62	-	122	-
17-0248	10-00379-01	-	10-00380-01	-	0.19	95	-	190	-
17-0277	10-00385-01	-	10-00387-01	-	0.56	125	-	230	-
17-0379	10-00402-01	-	10-00404-01	-	0.12	35	-	70	-
17-0341	10-00394-01	-	10-00395-01	10-00396-01	0.54	160	-	300	430
17-0311	10-00391-01	-	10-00392-01	-	0.58	125	-	220	-
17-1691	10-00566-01	-	10-00567-01	-	0.44	72	-	144	-
11-1009	10-00192-01	10-00193-01	-	-	0.59	140	200	-	-
17-0391	10-00411-01	-	10-00414-01	10-00415-01	1.1	290	-	500	610
17-0566	10-00433-01	-	10-00434-01	10-00435-01	0.82	200	-	380	525
17-1227	10-00459-01	-	10-00460-01	-	1.1	560	-	1000	-
17-1550	10-00524-01	-	10-00526-01	-	4.4	720	-	1250	-
17-1843	10-00609-01	-	10-00610-01	-	1.7	320	-	600	-
17-1865	-	10-00615-01	-	-	0.86	-	180	-	-
17-0146	10-00360-01	-	10-00361-01	-	2	950	-	1700	-

Type	Art No.	Art No.	Art No.	Art No.	Weight	M-max (kg)			
	40° IRH	50° IRH	60° IRH	70° IRH	(kg)	40° IRH	50° IRH	60° IRH	70° IRH
HK 60	10-01119-01	10-01122-01	10-01120-01	10-01121-01	0.24	90	115	180	250
HK 600	10-00190-01	-	10-00191-01	-	1	940	-	1700	-



Type	Art No.	Art No.	Art No.	Dimensions in mm										Weight	M-Max (kg)		
	45° IRH	60° IRH	70° IRH	A	B	C	D	H	E	F	G	K	L	(kg)	45° IRH	60° IRH	70° IRH
17-1671	10-00563-01	10-03699-01	-	75	100	105	16.5	46	17	19	22	20	105	0.45	160	-	-
17-1650	10-00554-01	10-00555-01	-	75	100	105	16.5	46	17	19	22	20	105	0.46	300	500	-
17-1814	10-00598-01	10-00603-01	-	89	115	120	25	47	23	13	21	25	120	0.63	410	760	-
17-0890	10-00440-01	10-00441-01	10-00442-01	see drawing										0.83	370	710	1030

Washer	Top	Bottom
	20-00774-01	20-00774-01



Type	Art No.	Dimensions in mm										Weight	M-Max	
		K	A	H	C	d	d1				(kg)	(kg)		
UH 50	10-00086-01	100.5	80.4	37	91	10.5	15	0.41	250					
UH 70	10-00088-01	100.5	80.4	37	91	10.5	17	0.41	400					
UH Washer	20-00608-01	d2	D	t										



Type	Art No.	Art No.	Dimensions in mm										Installation Dimensions, mm			Weight	M-Max (kg)		
	40° IRH	60° IRH	d	D	D1	H	H1	H2	H3	H4	C	E	R	(kg)	40° IRH	60° IRH	60° IRH		
EH 4850	20-00621-01	20-00620-01	13	50	32	50	20	10	20	20	31	15	1.5	0.26	80	130			
EH 6463	20-00619-01	20-00618-01	17	64	40	62	23	14	25	23	39	22	2.3	0.3	120	260			
EH 9075	20-00617-01	20-00616-01	23	89	58	73	25	19	29	25	56.5	28	3	0.37	260	450			



Type	Art No.	Dimensions in mm						Max Radial	Weight
	60° IRH	d	D	L	l		Load (kN)	(kg)	
VP 10/2525	10-00021-01	10	25	25	20	2.3	0.04		
VP 10/2540	10-00022-01	10	25	40	35	3.8	0.06		
VP 15/3530	10-00023-01	15	35	30	25	3.5	0.08		
VP 15/3550	10-00024-01	15	35	50	45	6	0.12		
VP 20/4540	10-00025-01	20	45	40	35	6.8	0.16		
VP 20/4570	10-00026-01	20	45	70	70	13.5	0.32		
VP 25/5045	10-00027-01	25	50	45	40	9	0.21		
VP 25/5085	10-00028-01	25	50	85	80	18	0.42		
VP 30/6055	10-00029-01	30	60	55	45	12	0.34		
VP 35/6560	10-00031-01	35	65	60	55	16	0.43		
VP 40/7065	10-00033-01	40	70	65	55	20.5	0.56		
VP 45/7570	10-00035-01	45	75	70	60	24	0.67		
VP 50/8075	10-00037-01	50	80	75	65	28.5	0.77		
UD 13-1232	10-00250-01	8	20	17	15	0.7	0.02		
UD 13-1230	10-00249-01 (55° IRH)	10	24	18	15	0.5	0.02		
UD 13-1782	10-00277-01	12.7	38.2	31.8	25.4	1.1	0.08		
UD 13-1657	10-00271-01	12.7	38.2	50.8	44.5	2.2	0.14		
UD 13-0785	10-00215-01	14.3	30.2	50.8	44.5	6	0.11		
UD 13-0797	10-00218-01	15.9	33.4	65	60.3	9.5	0.16		
UD 13-1004	10-00235-01	15.9	47.7	50.8	44.5	2.5	0.2		
UD 13-1698	10-00276-01	35	71.2	45	41.1	4.5	0.39		



Type	Art No.	Dimensions in mm										Stiffness	Max Load	Stiffness	±b	Stiffness	±a	Weight
	60° IRH	d	D	A	B	E	F	G			KN/mm	kN	KNm/rad	degrees	KNm/rad	degrees	(kg)	
Centre bore 13-1316	10-00257-01	25.4	66.7	47.6	54	-	-	-	70	34	0.9	8	0.9	8	0.9	6	0.84	
Centre bore 13-1006	10-00237-01	28.6	90.5	70	76.2	-	-	-	93	58	2.8	8	2.8	8	2.8	6	2.5	
Centre bore 13-2106	10-00291-01	28.6	90.5	70	76.2	-	-	-	100	58	2.8	8	2.8	8	2.8	6	1.8	
Centre bore 13-1285	10-00255-01	38.1	104.8	76.2	82.6	-	-	-	90	78	4.5	8	3.8	7	3.4	3.4		
Trunnion 13-2202	10-00302-01	35	66.7	47.6	120	20	90	13	70	34	0.7	8	0.9	6	1.2	1.2		
Trunnion 13-2033	10-00283-01	40	84	65	155	20	120	16.5	150	75	2.8	6	2.8	6	2.8	2.8		

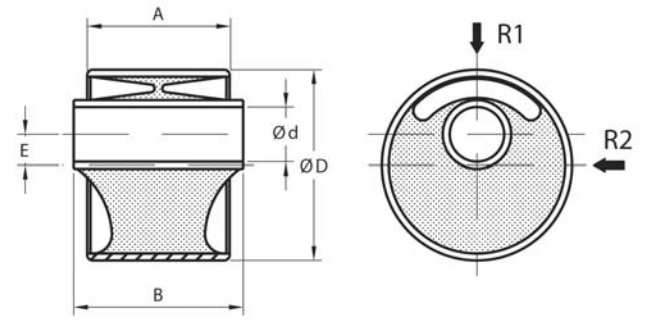
Model: Application - Features

Design

Metaxentric™ Bushes

Metaxentric™ bushes have a large rubber section with the central pin offset towards one radial plane.

Robust and fail-safe, suitable for ROPS and FOPS cab structures. Applications are vehicle spring eye mounting, tilt cab pivot bush and engine mounting.

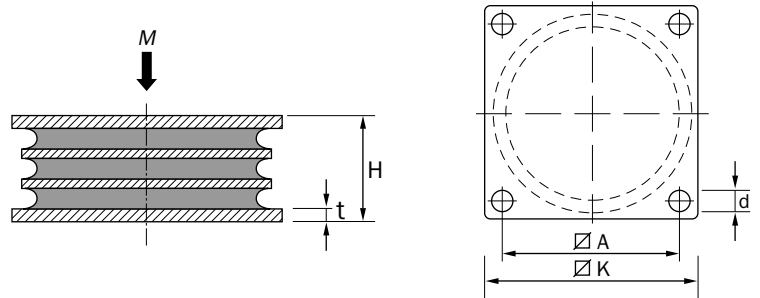


SAW

Novibra® type SAW mountings consist of a cylindrical shaped rubber section with integrally bonded interleaf metal plates bonded to two square heavy duty outer metal fixing plates.

Novibra® elements type SAW are heavy duty mountings for static and shock loads in compression. Provides high isolation in the horizontal shear direction.

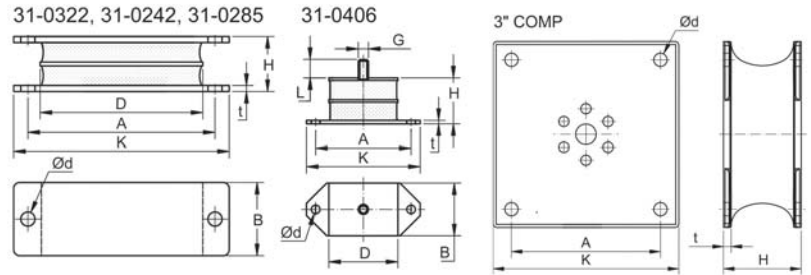
Application fields are crushers, vibratory rollers and mills.



Rectangle SAW

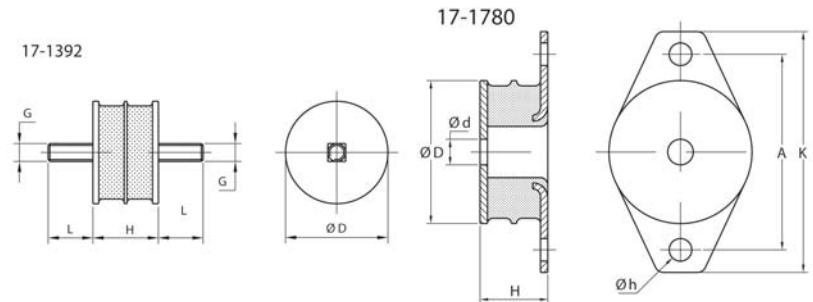
Rectangular SAW mountings are also known as "Sandwich" mountings because they feature a rubber section sandwiched between plates of metal.

Applications: Suspending engines on road vehicles and may also be employed as springs for vibratory equipment.



Circular SAW

Used in a variety of industrial applications including vibratory rollers and small screens or for the suspension of smaller type I.C. engines.

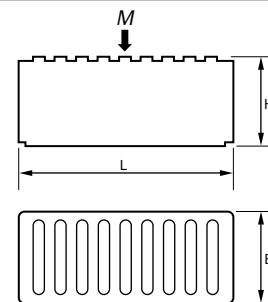


GK

Deflection up to 30mm is possible making type GK suitable for installations with low disturbing frequencies.

Installation is simple, eliminating traditional methods of attachment to machinery or support structure.

Mounting type GK is specifically designed for isolation of heavy machinery with low interfering frequencies for paper mills, mixers, gearboxes and industrial fans.

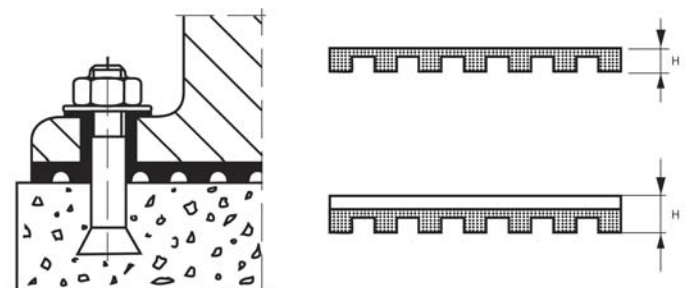


Novibra® AV Plate

Novibra® AV Plate is made of oil and grease resistant rubber.

The Anti-Vibration Plate is intended, primarily, for applications with low requirement for vibration isolation.

If insufficient deflection is achieved with a single layer, multiple layers can be used by separating each layer with a weight distributing steel plate.



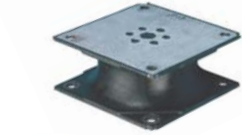
Standard Range



Type	Art No.	Dimensions in mm					Direction R1		Direction R2		Radial Properties	
		d	D	A	B	E	Stiffn N/mm	Max defl.mm	Max Load	Stiffn N/mm	Dir R1	Weight (kg)
13-1270 (50° IRH)	10-00252-01	16	47.6	50.8	63.5	7.1	675	2	1600	135	0.18	
13-2174 (60° IRH)	10-00297-01	24	75.3	50.8	70	10.5	910	3.5	1200	318	0.59	
13-1165 (50° IRH)	10-00244-01	25.4	88.9	66.7	79.4	14.3	475	3.8	640	180	0.86	
13-1165 (65° IRH)	10-00245-01	25.4	88.9	66.7	79.4	14.3	900	3.8	990	340	0.86	
13-1355 (60° IRH)	10-00263-01	43.7	101.6	63.5	72.4	9.5	1300	3.5	2200	482	1.1	



Type	Art No.	Art No.	Dimensions in mm							Weight (kg)	M-Max (kg)	
			A	K	H	d	t	40° IRH	60° IRH			
SAW 125	10-00141-01	10-00142-01	118	148	52	13.5	5	2.6	2250	4500		
SAW 150	10-00143-01	10-00144-01	136	166	63	13.5	6	4.1	3750	7500		
SAW 200	10-00075-01	10-00076-01	184	220	82	17	8	9.2	6000	12000		
SAW 300	10-00077-01	10-00078-01	270	310	120	22	10	27	15000	30000		



Type	Art No.	Art No.	Art No.	Dimensions in mm										Max Load in Shear (kg)			Max Load in Compression (kg)			Weight (kg)
				A	B	K	H	D	d	t	G	L	45° IRH	60° IRH	70° IRH	45° IRH	60° IRH	70° IRH		
31-0322	10-00658-01	10-00659-01	-	89	57	108	43	63.5	11	5	-	-	50	75	-	180	360	-	0.65	
31-0242	10-00648-01	10-00651-01	10-00652-01	146	57	168	43	127	11	5	-	-	120	150	150	450	900	1050	1.1	
31-0406	10-00661-01	10-00971-01	10-00663-01	74.5	41	89	36	54	6.5	2.5	M8	14	40	70	90	90	180	250	0.23	
31-0285	10-00656-01	10-00657-01	-	146	57	168	43	127	11	5	-	-	150	150	-	275	546	-	0.9	



Type	Art No.	Art No.	Art No.	Dimensions in mm								Max Load in Shear (kg)			Weight
				A	B	K	H	D	d	t	45° IRH	60° IRH	70° IRH		
3°COMP	10-00067-01	10-00065-01	10-00066-01	146	-	182	76	-	13	7.5	220	280	340	3.4	

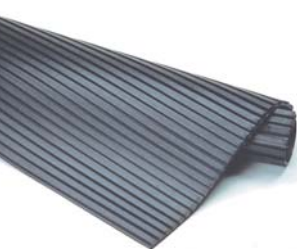


Type	Art No.	Art No.	Art No.	Dimensions in mm				Max Load in Shear (kg)			Max Load in Compression (kg)			Weight (kg)
				D	H	L	G	45° IRH	60° IRH	70° IRH	45° IRH	60° IRH	70° IRH	
17-1392	10-00492-01	10-00493-01	10-00494-01	57	37	25	M10	90	90	90	120	250	330	0.28

Type	Art No.	Art No.	Dimensions in mm						Max Load in Shear (kg)		Max Load in Compression (kg)		Weight (kg)
			D	H	A	K	d	h	45° IRH	60° IRH	45° IRH	60° IRH	
17-1780	10-00577-01	10-00578-01	95	45	130	160	17	15	135	160	190	380	0.81



Type	Art No.	Art No.	Dimensions in mm			Weight (kg)	M-Max (kg)	
			L	B	H		40° IRH	60° IRH
GK-0	10-00085-01	10-00101-01	195	175	150	5.7	1800	3800
GK-1	10-00008-01	10-00009-01	400	175	150	11.8	4000	8000



Type	Art No.	Dimensions in mm	Weight (kg)	M-Max Load (kg)	kg/cm ²
Single Plate	10-00019-01	600 x 500	4.5	1.21	5
Double Plate	10-00020-01	600 x 500	8	1.82	5

Model: Application - Features

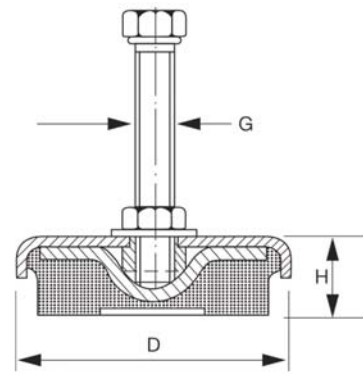
TF

There is no need to fix machines to the floor since the rubber base of the mounting keeps the machine in place.

The rubber element of the TF mounting is oil and chemical resistant.

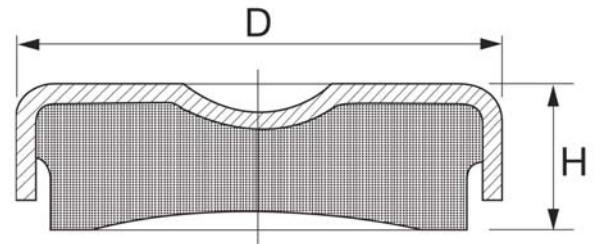
Novibra® type TF with level adjuster is suitable for a wide range of free standing workshop machines.

Design



TFE

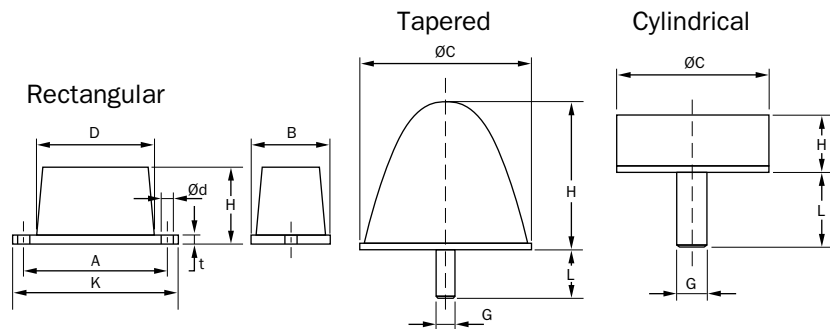
Mounting TFE is a simpler version of type TF without level adjuster. It is used for machines which do not require height adjustment or where such a feature is already provided, e.g. by an adjusting screw in the machine.



Buffers

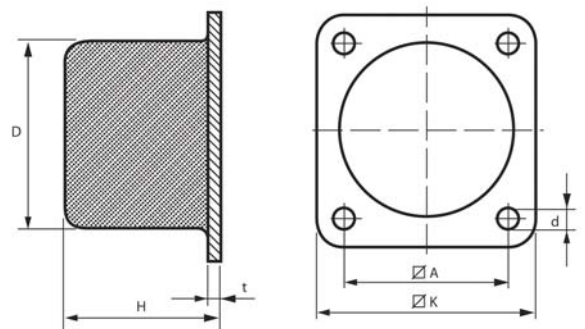
Buffers are designed to protect structures and equipment from impact forces. They are usually fitted as non-metallic stops or incorporated in vehicle suspension systems to provide progressive stiffening under increasing load.

Typical applications are dump trucks, off-road vehicles, cranes, handling equipment and vehicle suspensions.



ANB

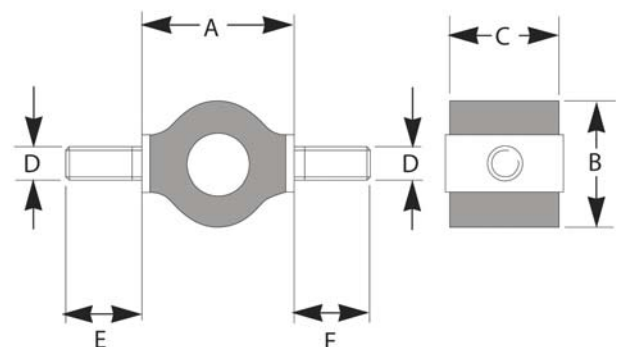
The shock buffer type ANB is used to effectively limit movement of equipment or machine components such as traversing cranes, forestry vehicles, lifting cranes and container handling equipment.



Low Frequency

These antivibration mountings are designed to give large deflection for small loads and are used to protect instruments etc against vibration and impact, and also to isolate light vibrating apertures from surroundings.

Low Frequency Mountings are available in three sizes and two grades of rubber hardness.



Standard Range



Type	Art No.	Dimensions in mm			Weight (kg)	Max Load (kg)
		D	H Min	G		
TF 250	20-00623-01	69	23	M12	0.4	250
TF 250 S/S	20-00678-01	69	23	M12	0.4	250
TF 600	20-00624-01	81	25	M12	0.49	600
TF 600 S/S	20-00679-01	81	25	M12	0.49	600
TF 1200	20-00625-01	108	29	M16	1	1200
TF 1200 S/S	20-00680-01	108	29	M16	1	1200
TF 3000	20-00626-01	151	35	M20	2.2	3000
TF 4000	20-00627-01	170	39	M20	2.9	4000
TF 6000	20-00628-01	205	44	M24	4.8	6000



Type	Art No.	Dimensions in mm		Weight (kg)	Max Load (kg)
		D	H		
TFE 601	20-00629-01	80	25	0.38	800
TFE 1201	20-00630-01	109	29	0.93	1600



Type	Art No.	Dimensions in mm				Max Load (kN)	Weight (kg)			
		C	H	G	L					
Cylindrical										
15-3463	10-00341-01	21	19	M6	15	1.2	0.02			
15-3464	10-00342-01	32	21	M8	20	2	0.05			
15-3459	10-00337-01	51	19	M10	25	9	0.1			
Conical										
15-3462	10-00340-01	28.5	37	M6	15	1	0.03			
15-3458	20-00686-01	32	28.5	M8	20	1.3	0.04			
15-3461	10-00339-01	38	38	M8	20	3	0.06			
15-3435	10-00334-01	48	51	M10	25	2.8	0.12			
15-3460	10-00338-01	70	46	M12	30	5	0.27			
15-3445	10-00336-01	108	95	M12	30	25	0.79			
15-3443	10-00335-01	108	121	M12	30	35	0.99			
Type	Art No.	Dimensions in mm				Max Load (kN)	Weight (kg)			
Rectangular		K	A	B	H					
15-0437	10-00322-01	121	105	48	56	86	8.6	6.3	18	0.48
15-0238	10-00315-01	121	105	57	56	86	8.6	6.3	47	0.55
15-0260	10-00317-01	156	127	64	37	89	13.5	6.3	24	0.57
ANB R-50	20-00417-01	84	68.5	32	22	51	6.7	3	8	0.06

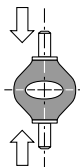


Type	Art No.	Dimensions in mm				Weight (kg)	F-Max (N)
		K	A	D	d		
ANB 50	10-00151-01	70	50	50	7	0.2	8000
ANB 75	10-00152-01	100	75	75	9	0.5	20000
ANB 100	10-00153-01	130	100	100	11	1.2	41000
ANB 150	10-00010-01	185	150	150	13.5	3.9	90000
ANB 200	10-00011-01	240	200	200	13.5	9.1	180000

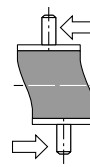


Type	Art No.	Art No.	Dimensions in mm					45° IRH Max Load			60° IRH Max Load		
			A	B	C	D	E	Radial (N)	Axial (N)	Tangential (N)	Radial (N)	Axial (N)	Tangential (N)
17/1394	20-00017-01	20-00018-01	17	14	13	M4	10	14	4	2.5	18	5	3.5
17/1395	20-00020-01	20-00021-01	30	25	19	M5	14	30	10	8	55	15	15
17/1396	20-00022-01	20-00023-01	38	35	25	M6	15	85	30	25	125	45	35

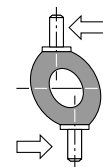
Radial Load



Axial Load



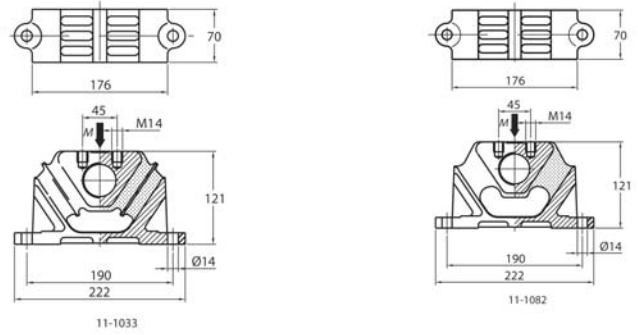
Tangential Load



Vee Mountings

Vee mountings have ideal stiffness characteristics for rail vehicle engine suspensions.

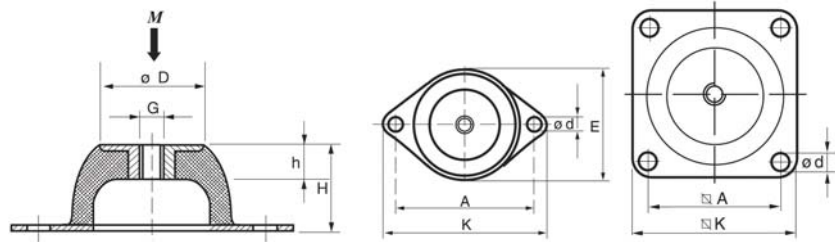
A high load capacity mounting with relatively large rubber volume providing a high degree of vibration and noise isolation and it is ideally suited for suspending engines installed in public service and goods vehicles.



M

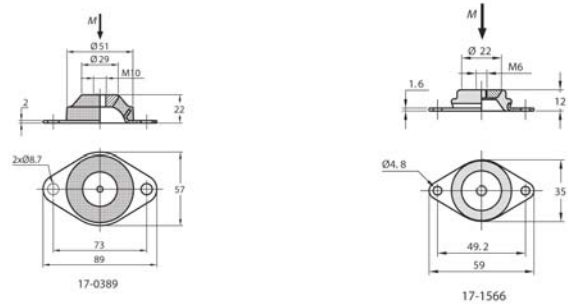
Type M is ideal for applications involving isolation of low frequency vibrations in all planes. Also suitable for shock attenuation due to the designed ability to offer large deflection. Provides passive vibration isolation on electronic instruments, measuring equipment and test cells.

Specific fields of application are compressors, refrigerators, ventilators, fans, pumps and vibratory screens.



Equi-Frequency

General purpose low profile mounting for use where space is restricted. Suitable for stationary applications such as instrument panels, small fan sets and small vacuum pumps.

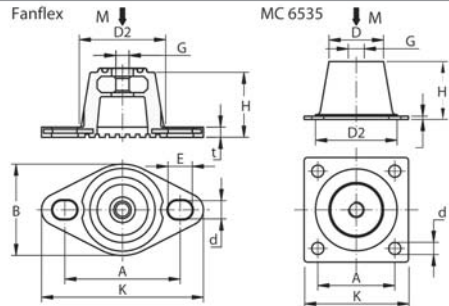


Fanflex™

Simple design with metal parts encapsulated in high grade oil-resisting rubber compound giving good environmental resistance.

Provides relatively large static deflections and hence a high degree of vibration attenuation - 90% isolation for disturbing frequencies of 15 Hz (900 c.p.m).

A simple mounting designed predominantly for the suspension of heating, ventilating and air-conditioning equipment for pumps, fans, compressors and control cabinets.

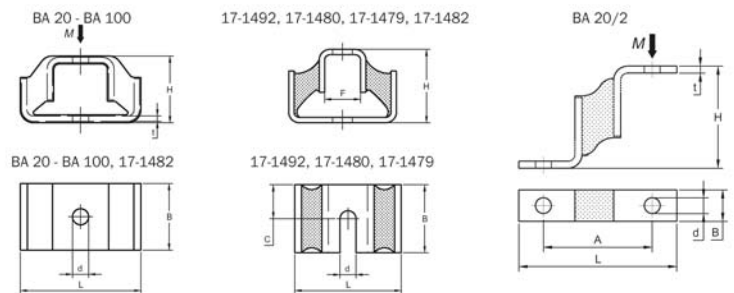


BA & Double U-Shear

Novibra® type BA and Metalastik® type Double U-Shear are equally suitable for isolating vibrations from low speed machines and equipment. Protects sensitive and lightweight units from external shocks and vibrations.

Ideal for light fans and compressors, portable gensets and pumps, computers and electronic units, transit cases, measuring and test instruments and gauging equipment.

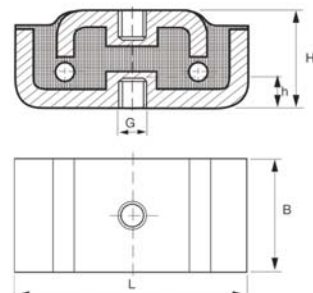
Provides excellent isolation of low frequencies.



U

Type U enables stable machine installation and is particularly suitable for the vibration isolation of heavier machinery with relatively high interfering frequencies.

Typical applications can be found on presses, punches and printing machinery.



Standard Range



Type	Art No.	Art No.	Weight	M-Max (kg)	
	55° IRH	65° IRH	(kg)	55° IRH	65° IRH
11-1082	10-00205-01	10-00206-01	4.2	210	315

Type	Art No.	Art No.	Weight	M-Max (kg)	
	50° IRH	60° IRH	(kg)	50° IRH	60° IRH
11-1033	10-00196-01	10-00197-01	4.5	470	710



Type	Art No.	Art No.	Dimensions in mm								Weight	M-Max (kg)	
	40° IRH	60° IRH	D	E	A	K	H	h	d	G	(kg)	40° IRH	60° IRH
M7	10-00139-01	10-00140-01	18	43	50	64	20	7	7	M6	0.02	3.5	9
M 25	10-00094-01	10-00095-01	33	56	66	85	25	11	8	M8	0.07	20	50
M 50	10-00096-01	10-00097-01	45	76	92	114	35	14	10	M10	0.16	40	80
M 100	10-00100-01	10-00099-01	53	96	110	136	40	15	11.5	M10	0.26	70	150
M 200	10-00102-01	10-00103-01	58	101	124	151	45	13	11.5	M10	0.42	130	220
M 400	10-00104-01	10-00105-01	78	-	120	150	63	18	14.5	M12	1.06	280	500
M 600	10-00080-01	10-00081-01	100	-	160	200	85	25	14.5	M16	2.35	380	750
M 1500	10-00082-01	10-00083-01	186	-	250	310	160	43	18	M24	9.4	1400	2500



Type	Art No.	Art No.	Weight	M-Max (kg)	
	45° IRH	60° IRH	(kg)	45° IRH	55° IRH
17-1566	10-00529-01	10-00530-01	0.024	11	22
17-0389	10-00406-01	10-00407-01	0.1	27	54



Type	Art No.	Art No.	Art No.	Dimensions in mm											Weight	M-Max (kg)			Colour Code		
	45° IRH	55° IRH	65° IRH	A	K	H	B	D1	D2	E	d	t	G	(kg)	45° IRH	55° IRH	65° IRH	45° IRH	55° IRH	65° IRH	
Fanflex 100	20-00518-01	20-00519-01	20-00520-01	57	80	32	45	-	41	12	9	5	M8	0.09	35	65	100	yellow	blue	red	
Fanflex 200	20-00521-01	20-00522-01	20-00523-01	71	95	45	60	-	56	14	9	5	M10	0.22	130	225	350	yellow	blue	red	
MC 6535	20-00662-01	20-00663-01	20-00664-01	48	65	36	-	34	51	8	7.5	2	M12	0.12	45	75	115	white	red	black	



Type	Art No.	Art No.	Dimensions in mm							Weight	M-Max (kg)	
	40° IRH	60° IRH	B	L	H	A	d	t	(kg)	40° IRH	60° IRH	
BA 20/2	10-00005-01	10-00006-01	20	90	58	62	8	4	0.09	12	27	
BA 20	10-00145-01	10-00146-01	20	90	50	-	10	4	0.16	20	35	
BA 50	10-00147-01	10-00148-01	50	90	50	-	12	4	0.42	60	110	
BA 100	10-00149-01	10-00150-01	100	90	50	-	15	4	0.83	130	250	

Type	Art No.	Art No.	Dimensions in mm						Weight	M-Max (kg)	
	40° IRH	50° IRH	B	L	H	F	C	d	(kg)	40° IRH	50° IRH
17-1492	10-00518-01	10-00519-01	19	60	43	19	10.3	6.7	0.09	14	20
17-1480	10-00511-01	10-00512-01	51	80	78	32	25	13	0.6	70	100
17-1479	10-00509-01	10-00510-01	64	86	108	38	32	16.7	1.1	150	220
17-1482	10-00515-01	10-00516-01	51	60	41	20	-	11	0.2	37	56



Type	Art No.	Art No.	Dimensions in mm					Weight	M-Max (kg)	
	40° IRH	60° IRH	B	L	H	h	G	(kg)	40° IRH	60° IRH
U 100	10-00001-01	10-00002-01	50	100	42	12	M12	0.65	200	400
U 130	10-00003-01	10-00004-01	70	130	54	12	M12	1.32	400	800

Technology you can trust...

Trelleborg Industrial AVS believes that its strength lies in the ability to work in partnership with the customer. TIAVS focuses its resources of advanced technology and design on the customer's real and specific needs. Our know-how, skill and specialist expertise delivers cost-effective solutions and intelligent innovation.

We work to understand the environment in which you operate and the performance requirements that it dictates. Our reputation stands on products that you can rely on to perform in the most extreme conditions.

Working in close co-operation with the customer, our R&D team is constantly improving the function, durability and service life of Trelleborg products.

Trelleborg Industrial AVS uses state-of-the-art FMEA and simulation techniques to assess and overcome future challenges. Constantly looking for new and alternative materials, Trelleborg aims to advance polymer technology and develop the products of the future, ready to meet the life-expectancy and environmental demands of our expanding global customer base.

Where to find us



Global Distributor

Flexico Technische Handelsonderneming B.V.

Achterzeedijk 57 Unit 8 2992 SB Barendrecht

Phone: +31 (0)180 624 589

The Netherlands

Your Distributors details



For more information please contact:

sales@flexico.nl

Alternatively please visit our web pages: www.flexico.nl